

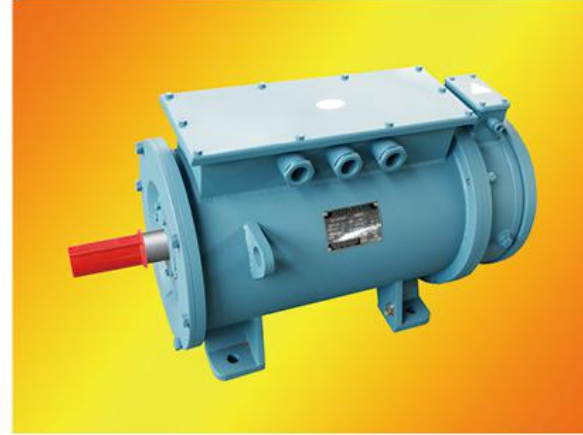
JZ2-H 系列船用起重用三相异步电动机

JZ2-H Series Three-phase Marine Induction Motor for Hoisting

锐格电机
Ruige motor

● 前言

JZ2-H 系列船用起重用三相异步电动机，为鼠笼型结构。适用于船舶和石油平台上作短时和断续运行的电力拖动之用，如锚机、绞盘机及绞车等甲板机械。



● Introduction

JZ2-H series three phase marine induction motor For hoisting is kind of squirrel caged type. The motors are applicable for mechanical and Electrical deck tugging facilities of short-term quota loading, on board ships and oil platform, such as anchor machine, capstan and marine winch, etc.

● 环境条件:

海拔: 0m;
环境允许最高温度: +45°C;
相对湿度: ≤ 95%;
有船舶正常营运中冲击和振动的影响;
有霉菌、盐雾和凝露;
横摇: ±22.5°;
倾斜: ±22.5°;

● Operation Condition:

Altitude: 0m;
Allowed max temperature: +45°C;
Relative humidity: ≤ 95%;
shock, Vibration, Dew, Salt mist, Oil mist, Fungus, exists;
Inclination and swing: ±22.5°

<http://www.dzrgdj.com>

● 主要技术数据 Main Technical Data

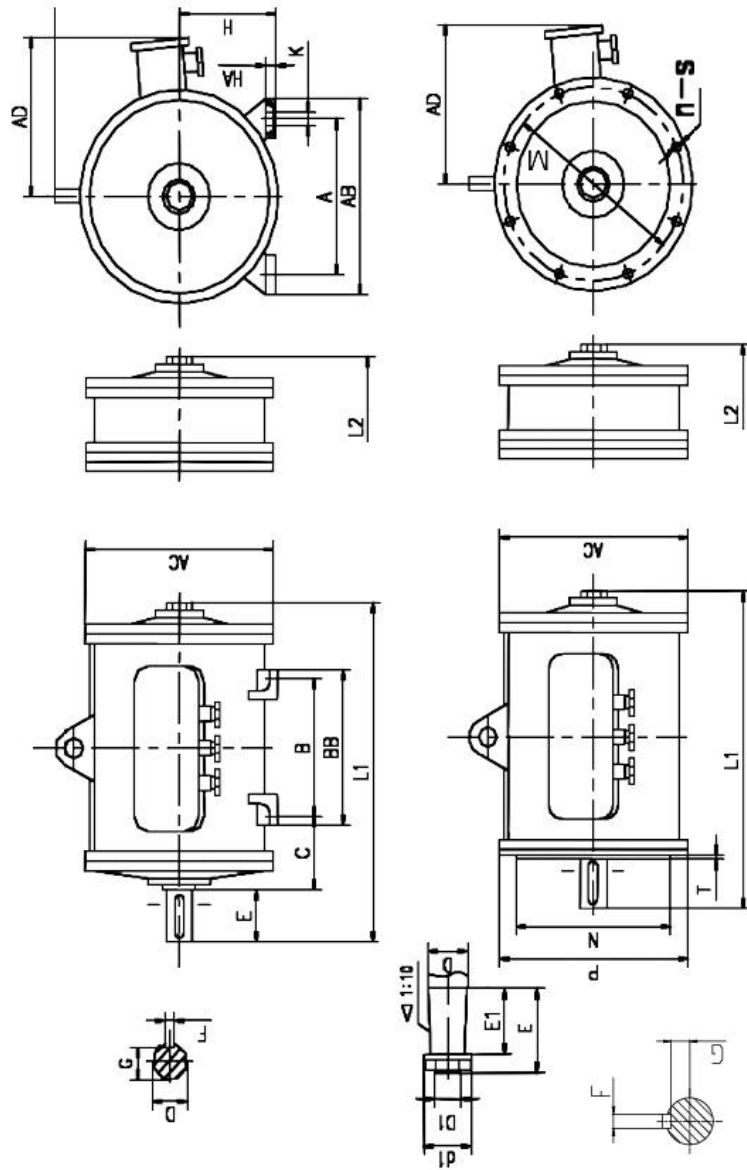
型号 Type	功率 Power (kW)		电流 Rated Current (A)		转速 Rated Speed (r/min)		工作方式 Duty Type		制动转矩 Brake Torque (N.m)	制动器 Brake		重量 Weight (kg)
	380V 50Hz	440V 60Hz	380V 50Hz	440V 60Hz	380V 50Hz	440V 60Hz	S3 %	S2 (min)		吸上电压 (V) Suction Voltage	维持电压 (V) Maintain Voltage	
JZ2-11-4-H	1.5	4.3	4.3	3.7	1400	1680	25	—	24.8	128/1.19	128/1.19	66
JZ2-12-4-H	2.2	6.0	6.0	5.2	1400	1680	25	—	24.8	128/1.19	128/1.19	86
JZ2-13-4-H	3.5	8.9	8.9	7.7	1400	1680	25	—	24.8	128/1.19	128/1.19	77
JZ2-21-4-H	5	12	12	10.4	1400	1680	25	—	54.8	128/1.78	128/1.78	110
JZ2-21-6-H	3.5	10	10	8.7	900	1080	25	—	54.8	128/1.78	128/1.78	110
JZ2-22-6-H	5	13.3	13.3	11.5	900	1080	25	—	54.8	128/1.78	128/1.78	122
JZ2-31-6-H	7.5	19.2	19.2	16.6	900	1080	25	—	119.6	128/2.05	128/2.05	174
JZ2-32-6-H	11	26.8	26.8	23.2	900	1080	25	—	119.6	128/2.05	128/2.05	195
JZ2-41-6-H	16	35	35	30.3	900	1080	25	—	232.8	110/9	30/2.45	365
JZ2-41-8-H	11	28.9	28.9	25	695	830	25	—	232.8	110/9	30/2.45	340
JZ2-22-4/12-H	3/1.2	6.8/7.12	6.8/7.12	5.9/6.15	1350/410	1620/490	—	30/10	40	110/1.6	30/0.85	112
JZ2-23-4/12-H	4.3/1.7	9.5/10.1	9.5/10.1	8.2/8.73	1350/410	1620/490	—	30/10	40	110/1.6	30/0.85	149
JZ2-32-4/12-H	6/2.5	12.9/11.3	12.9/11.3	11.2/9.76	1350/390	1620/465	—	30/10	119.6	110/4.5	30/1.23	177
JZ2-33-4/12-H	8.5/3.5	17.9/14.8	17.9/14.8	15.5/12.8	1370/390	1620/465	—	30/10	119.6	110/4.5	30/1.23	227
JZ2-33-4/16-H	8.5/2.4	19.2/11.6	19.2/11.6	16.6/10.1	1370/310	1620/370	—	30/15	119.6	110/4.5	30/1.23	230
JZ2-41-4/16-H	12/3.5	25/18.2	25/18.2	21.6/15.7	1370/320	1640/380	—	30/15	232.8	110/9	30/2.45	345
JZ2-42-4/16-H	18/5	37/23.8	37/23.8	32/20.6	1370/320	1640/380	—	30/15	232.8	110/9	30/2.45	407
JZ2-41-4/8/16-H	7.5/7.5/5	16.8/17.8/26	16.8/17.8/26	14.5/15.4/22.5	1400/665/300	1680/798/360	—	10/30/5	232.8	110/9	30/2.45	365
JZ2-42-4/8/16-H	11/11/7.5	23/25.5/36	23/25.5/36	19.9/22.1/31.1	1400/665/300	1680/798/360	—	10/30/5	232.8	110/9	30/2.45	415
JZ2-51-4/8/16-H	16/16/11	33/35.2/49	33/35.2/49	28.5/30.4/42.3	1400/665/300	1680/798/360	—	10/30/5	510.6	110/9	30/2.46	505
JZ2-52-4/8/16-H	22/22/16	43.7/47.8/71	43.7/47.8/71	37.8/41.3/61.3	1400/665/300	1680/798/360	—	10/30/5	510.6	110/9	30/2.46	575
JZ2-61-4/8/16-H	30/30/22	60.5/69.5/96	60.5/69.5/96	52.3/60.1/83	1420/670/300	1700/800/360	—	10/30/5	676	110/10.47	30/2.86	850
JZ2-71-4/8/16-H	45/45/30	88.5/100/142	88.5/100/142	76.5/86.4/122.7	1420/680/320	1700/810/380	—	10/30/5	889	110/18.25	30/4.98	1210
JZ2-72-4/8/16-H	60/60/45	114/135/195	114/135/195	98.5/116.6/168.5	1420/720/330	1700/860/390	—	10/30/5	1350	110/18.25	30/4.98	1560

<http://www.dzrgdj.com>

JZ2-H 系列船用起重用三相异步电动机

JZ2-H Series Three-phase Marine Induction Motor for Hoisting

锐格电机
Ruige motor



机座号 Frame	型号 Type	安装尺寸 Mounting Dimension													外形尺寸 Over Dimension													
		A	B	C	D	E	F	G	H	K	M	N	P	S	T	n	轴伸 型式	D1	E1	d1	HA	AB	AC	AD	BB	HD	L1	L2
1#	JZ2-11、12-4-H	190	140	85	28	60	8	24	112	14	265	230	300	15	4	4	圆柱形	-	-	-	12	220	250	190	180	275	410	485
	JZ2-13-4-H	170	170	85	28	60	8	24	112	14	265	230	300	15	4	4	圆柱形	-	-	-	12	220	250	190	210	275	440	515
2#	JZ2-21-4、6-H	150	150	90	32	80	10	27	125	14	265	230	300	15	4	4	圆柱形	-	-	-	15	260	280	195	240	295	410	530
	JZ2-22-6、4/12-H	220	200	90	32	80	10	27	125	14	265	230	300	15	4	4	圆柱形	-	-	-	15	260	280	195	240	295	460	590
	JZ2-23-4/12-H	270	270	90	32	80	10	27	125	14	265	230	300	15	4	4	圆柱形	-	-	-	15	260	280	195	310	345	530	660
3#	JZ2-31-6-H	200	200	100	42	110	12	37	150	18	300	250	350	19	5	4	圆柱形	-	-	-	20	300	320	235	250	345	560	650
	JZ2-32-6、4/12-H	250	280	100	42	110	12	37	150	18	300	250	350	19	5	4	圆柱形	-	-	-	20	300	320	235	330	345	640	730
	JZ2-33-4/12、4/16-H	380	380	100	42	110	12	37	150	18	300	250	350	19	5	4	圆柱形	-	-	-	20	300	320	235	430	430	740	830
4#	JZ2-41-6、8、4/16、4/8/16-H	320	305	120	50	110	16	43.5	200	26	400	350	450	19	5	8	圆柱形	-	-	-	20	380	420	295	375	470	700	820
	JZ2-42-4/16、4/8/16-H	380	380	120	50	110	16	43.5	200	26	400	350	450	19	5	8	圆柱形	-	-	-	20	380	420	295	450	470	770	895
5#	JZ2-51-4/8/16-H	360	360	140	60	140	18	53	225	26	500	450	550	19	5	8	圆柱形	-	-	-	20	430	450	325	460	510	840	990
	JZ2-52-4/8/16-H	460	460	140	60	140	18	53	225	26	500	450	550	19	5	8	圆柱形	-	-	-	20	430	450	325	560	560	940	1090
6#	JZ2-61-4/8/16-H	420	440	160	70	140	20	26	250	32	500	450	550	19	5	8	圆锥形	M48×3	105	90	23	510	550	380	550	575	950	1130
7#	JZ2-71-4/8/16-H	480	510	190	90	170	25	35	280	32	600	500	660	24	6	8	圆锥形	M60×4	130	110	23	560	620	410	620	600	1060	1255
	JZ2-72-4/8/16-H	660	660	190	90	170	25	35	280	32	600	500	660	24	6	8	圆锥形	M60×4	130	110	23	560	620	410	770	600	1200	1535

注：本产品样本中，所有产品数据参数及图样仅供参考。Note: This catalogue is just for reference.

<http://www.dzrgdj.com>